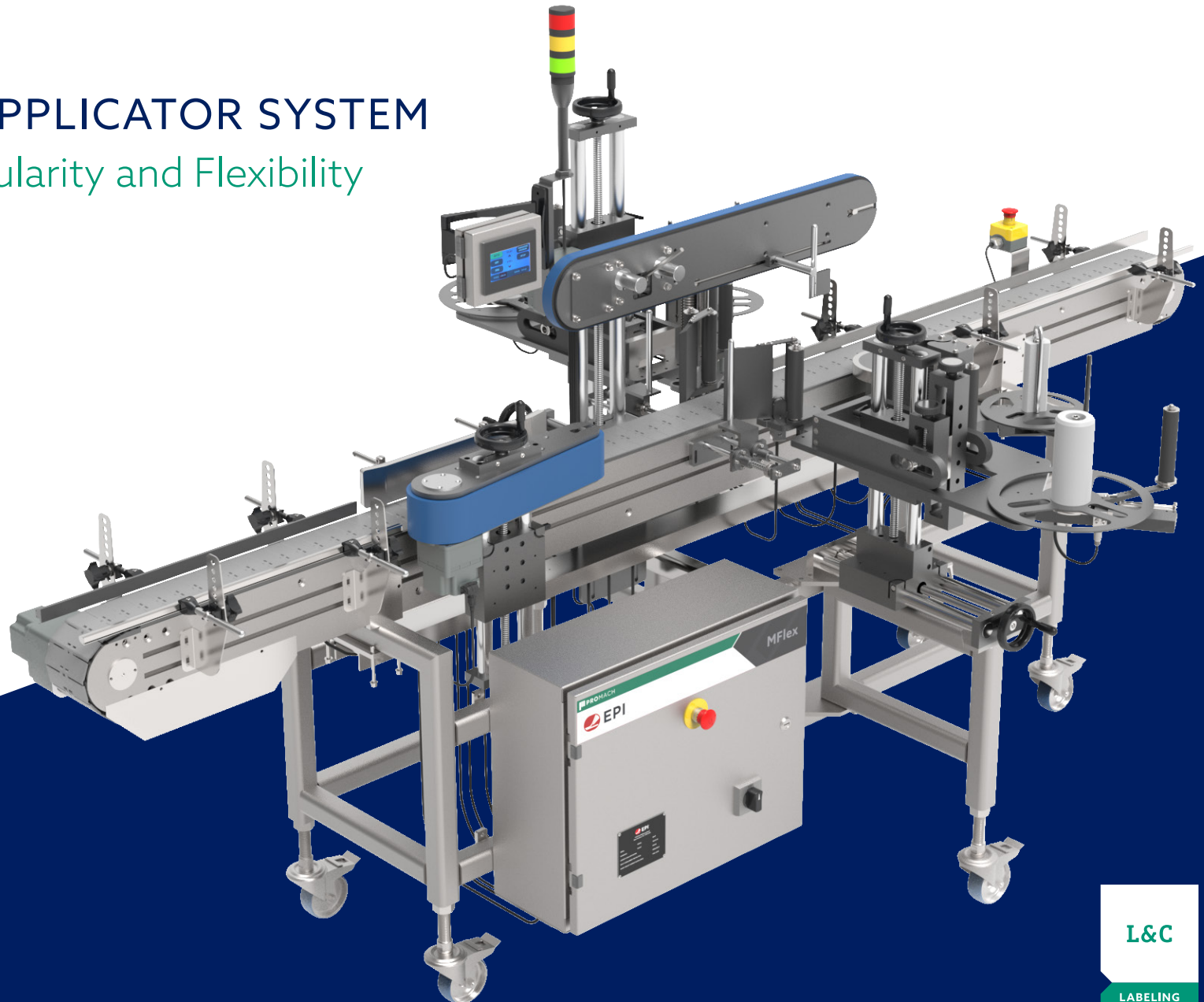




# MFLEX™ LABEL APPLICATOR SYSTEM

Engineered for Modularity and Flexibility



## TABLE OF CONTENTS

Introduction.....	3
Engineered for Flexibility .....	5
M2 Label Applicator .....	6
Synchronicity in Form and Function.....	8
Singular HMI Controls Everything .....	9
MFlex Wrap Labeling System.....	10
MFlex Front & Back Labeling System.....	12
MFlex Top & Bottom C-Wrap Labeling System .....	14
MFlex Top & Bottom Labeling System.....	16
MFlex C-Wrap Labeling System.....	18
MFlex Hugger Belt Labeling System.....	20



## INTRODUCTION

Building on the many years of experience and engineering expertise within ProMach Labeling & Coding, the MFlex is a completely new, modular, and flexible pressure-sensitive labeling system.

Composed of a label applicator and integrated product handling solution, the MFlex precisely labels a variety of packaging shapes and product types that provides an easy and flexible platform to not only control, but maintain.

### SYNCHRONIZATION

Regardless of conditions, all machine modules provide optimum labeling accuracy:

- MFlex is designed with a closed-loop servo system to ensure maximum synchronization and control – even if the machine speed changes or stops completely while applying a label to the product.

### SINGULAR TOUCHSCREEN CONTROL

Designed for simplicity and efficiency:

- A singular full-screen touchscreen HMI provides fast access to any adjustments as well as full diagnostics for maintenance.
- Product setups are saved in the recipe database, ready for instant recall when that job is called upon again.

### ENGINEERED AND BUILT TO LAST

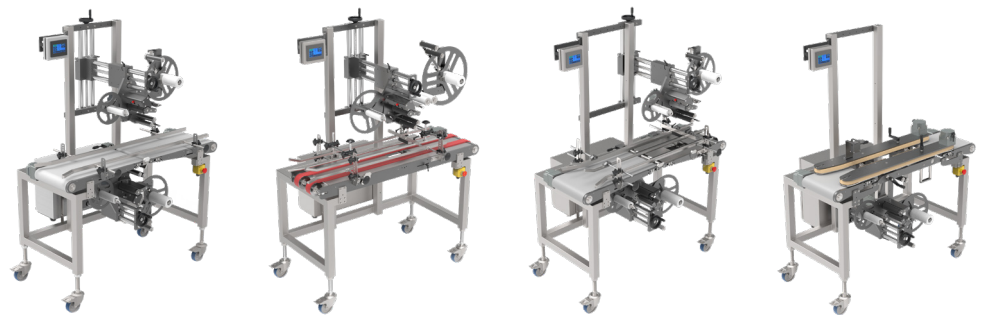
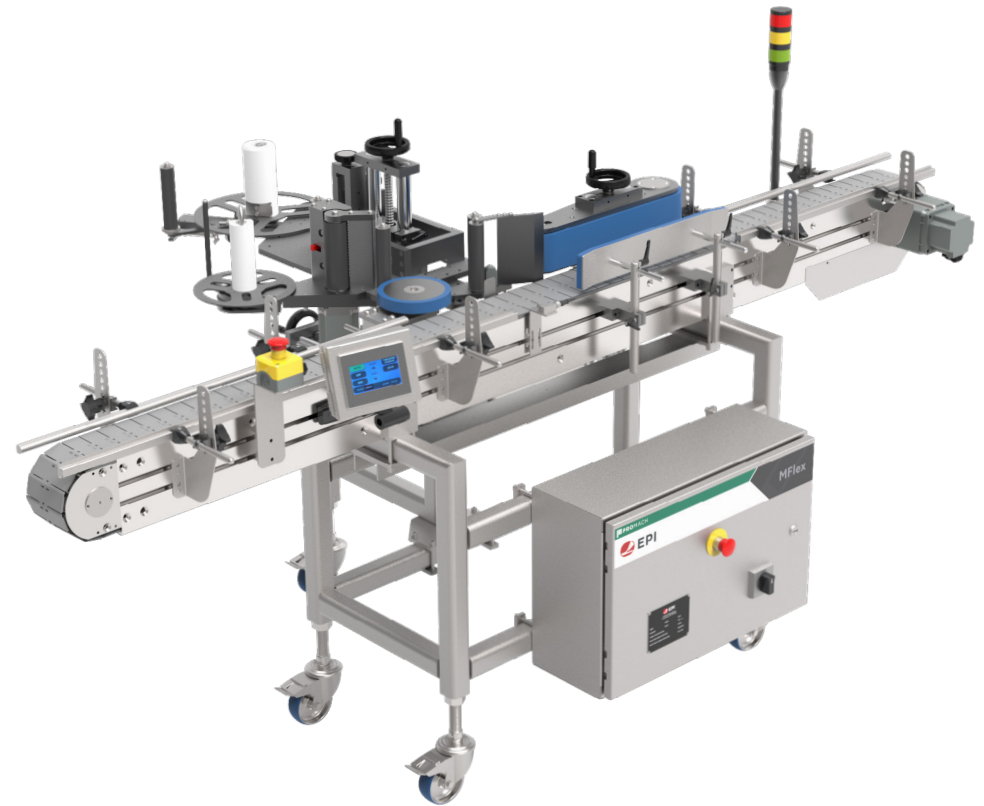
IP65 rated for multiple production environments:

- MFlex machines are built on a welded stainless steel frame, using non-corrosive components that feature IP65 protection, ensuring the equipment will operate in damp or dusty environmental conditions.

### ZERO DOWNTIME

Downtime is expensive – keep the line running without stopping for label replenishments:

- Even if you take only a few minutes to replenish your labels, that downtime influences your bottom line.
- With redundant labeling heads, never stop for label roll changes again – greatly increasing your productivity.



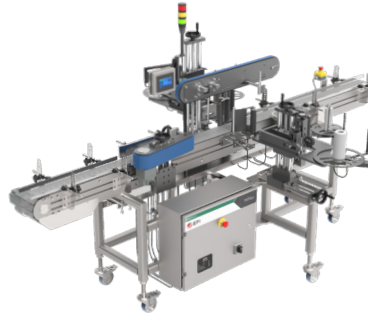


MFLEX™ LABELING SYSTEMS



MFLEX™ WRAP

Fully-featured automatic wrap labeling system designed to accommodate a wide variety of round containers and packaging.



MFLEX™ FRONT & BACK

Advanced front, back, and wrap capable labeling system designed to accommodate a wide variety of flat, oval, and round containers.



MFLEX™ TOP & BOTTOM C-WRAP

The most versatile MFlex system, featuring wipe on applicators for top, bottom, and c-wrap applications.



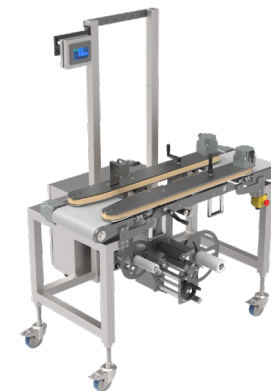
MFLEX™ TOP & BOTTOM

Ideal labeling system designed specifically for top and bottom apply labeling to clamshells, tray packs, and other round containers.



MFLEX™ C-WRAP

3-panel wrap around labeling system, perfect for applying a c-wrap style label to clamshells, tray packs, and other flat style packaging.



MFLEX™ HUGGER BELT

Utilizing hugger belt technology, easily suspend product to allow for top and bottom label applications with speed and accuracy.





## ENGINEERED FOR FLEXIBILITY

Flexibility is an essential component of the MFlex concept. The modular design allows for one design philosophy to be utilized for a wide range of applications by simply choosing the required modules from our extensive portfolio.

### APPLICATION FLEXIBILITY

Range of labeling applications that MFlex can handle include:

- Labeling of round containers.
- Applying one or more labels to non-round containers.
- Accurately applying labels to the top or bottom (or both) of products such as trays or clamshells.
- Wrapping a label around three sides of a tray or clamshell type product (c-wrap).

### OPERATIONAL FLEXIBILITY

MFlex labelers are designed to accommodate fast to changeover for different product sizes. Tools are not typically required for mechanical settings and all label control settings can be saved as a product recipe in the HMI.

To make setups even faster, all the mechanical adjustment points can be fitted with scales or digital readouts so that positions can be recorded for quickly recreating that setup next time.

Because many packaging lines operate in damp or dusty conditions, MFlex labeling systems are built using non-corrosive materials and with IP65 environmental protection as standard.



## M2 LABEL APPLICATOR

MFflex labeling machines incorporate the systems version of our proven M2 applicator head. This retains the mechanical design and modularity of the standalone M2, with the drives relocated to the parent machine's cabinet.

### SERVICEABILITY

Modular design for maximum serviceability:

- Module-based – Service in a matter of minutes.
- Industrial IP65 connectors throughout.
- Warning on system HMI in the event of label slippage.
- Quick drive roller change.

### FLEXIBILITY

Fully integrated into the labeling system:

- Can be mounted in any orientation – top, bottom, or side label application.
- Quick adjustments with new head mounting hardware for maximum uptime. The mounting system is built into the labeling head, minimizing space requirements and ensuring rigidity.

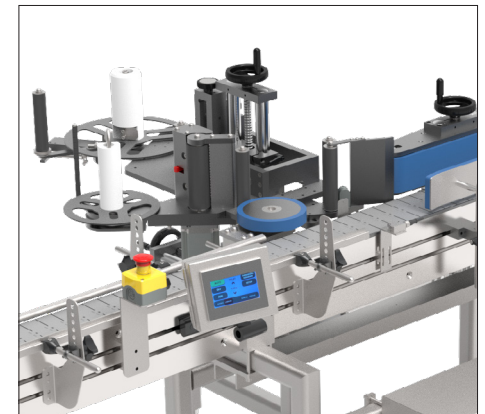
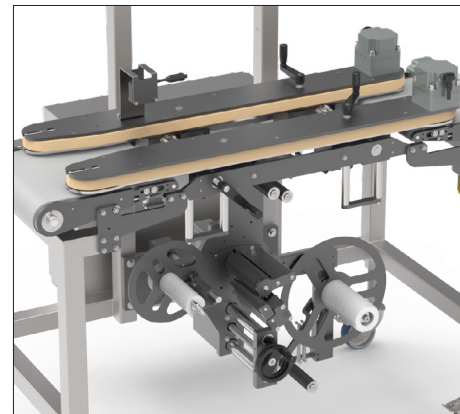
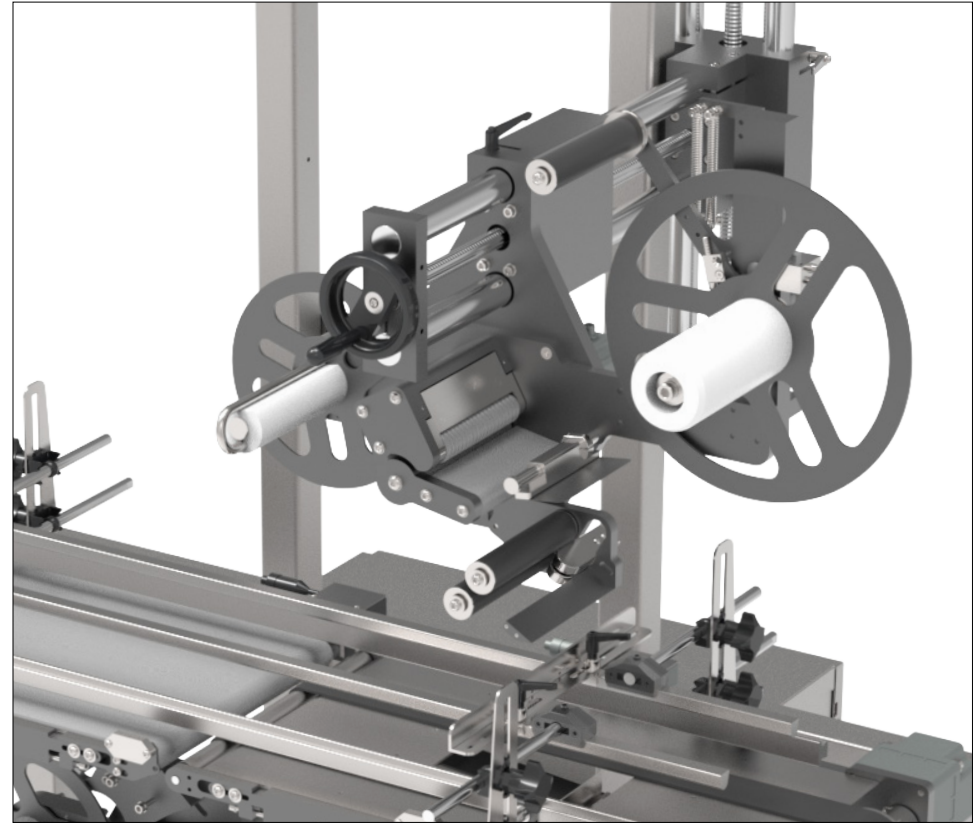
### DURABILITY

Versatile, durable, and designed for ease of setup up and operation:

- New nip roller lever with high visibility and ease of operation.
- Ball bearing rollers for longer life and less tension on the label web.

### OPTIONAL ITEMS FOR INCREASED VERSATILITY

- Printer for adding date and production codes – thermal transfer overprinter (TTO), thermal inkjet (TIJ), or laser coding system.
- Larger diameter unwind and rewind modules for less downtime.
- Clutched rewind module for high-speed web handling.



## M2 LABELING HEAD FEATURES

### LABELING HEAD MOUNTING

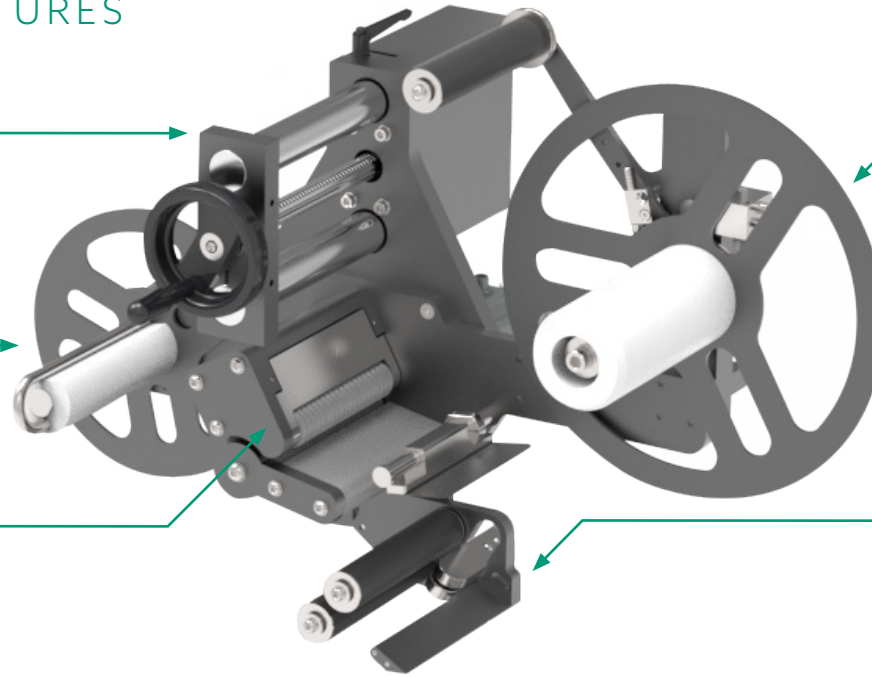
Robust, easy to adjust mounting ensures the labeling head is quickly adjusted to the required position and held precisely in place for consistent labeling.

### REWIND MODULE

Collects the waste liner for disposal. Several versions are available, depending on the application.

### DRIVE ROLLER MODULE

Quick-change drive roller replacement with side-load label loading for fast threading. Safe enclosed nip drive design.



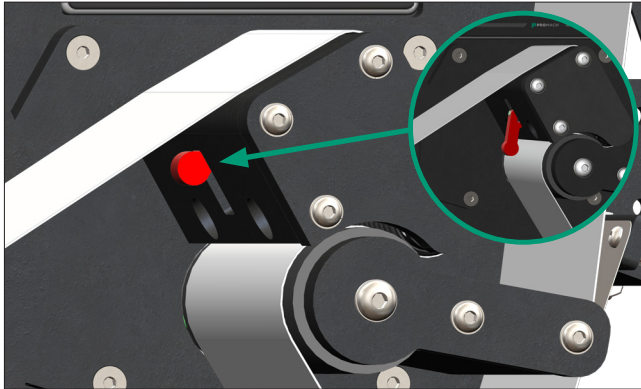
### UNWIND MODULE

Consists of the supply spool and dancer arm. The 3" diameter mandrel facilitates easy label loading.

Designed as standard for 12" diameter label rolls, options include up to 16" label rolls.

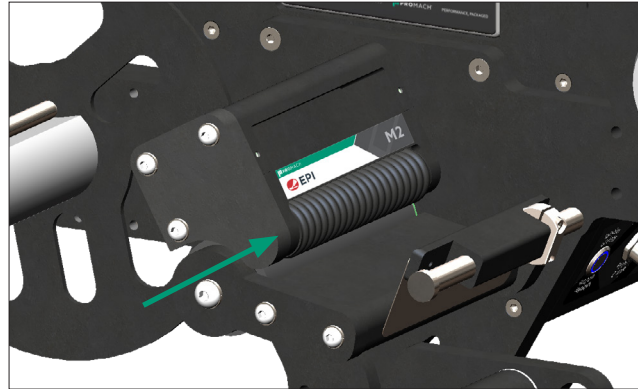
### PEEL BAR MODULE

The radiused peel edge separates the self-adhesive label from the release liner as the web travels around the peel edge.



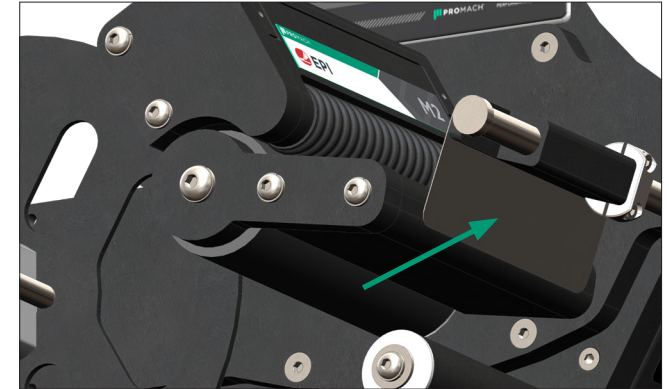
### NIP DRIVE

New nip lever design is easy and convenient to operate, and features instant visual indication of opened or closed position. The tension roller applies force against the rubberized drive roller to create a slip-free nip drive to advance the label web through the M2 labeler.



### HIGH-GRIP RIBBED NIP ROLLER

The ribbed tension roller removes issues with liner slippage by creating more contact points to positively drive the label liner. Also, as the drive roller starts to wear, this ribbed roller reaches deeper into the worn portion of the drive roller to maintain high-grip.



### WEB TENSION BRAKE

The label web tension brake is easily opened and closed by a quick push and turn, and the open design allows labels to be replaced with a quick and convenient side-load design.



## SYNCHRONICITY IN FORM AND FUNCTION

Synchronization of label feed control with the product motion is crucial in order to achieve consistent and accurate labeling results. The MFlex controls are based around an innovative motion control system that monitors and synchronizes all of the machine modules.

Every MFlex is built around this same central module (the number of Titanium and Vanadium units varies based on the configuration), so life is simplified for your maintenance technicians if you have multiple MFlex units in your operation.

### KEY COMPONENTS

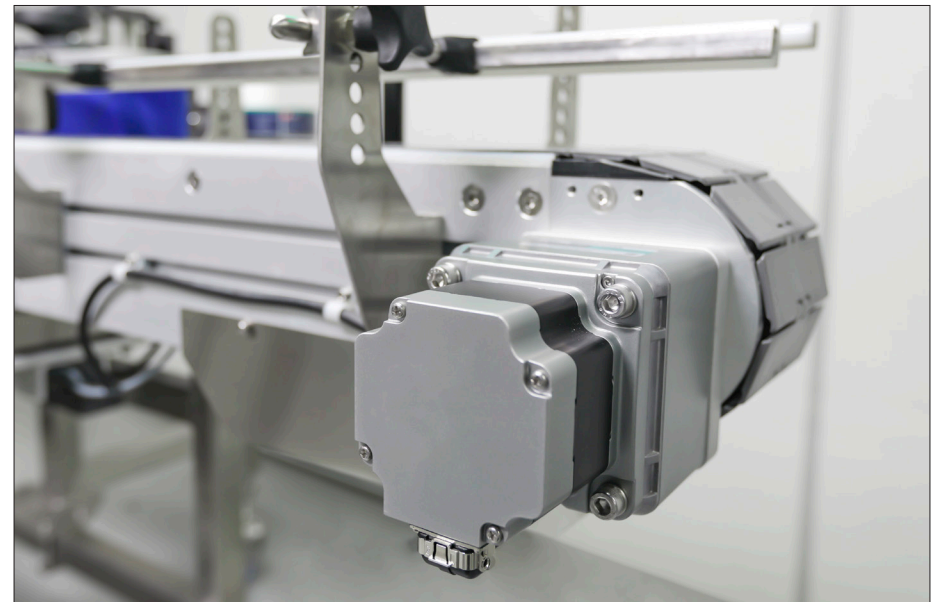
Modular command center and accessories:

- Single IP65 rated electrical cabinet.
- Quick change Titanium labeling head controls and Vanadium drives.
- Compact high-powered brushless DC conveyor and product handling motors.
- Closed-loop servo system label feed control.

### PRECISE SYNCHRONIZATION CONTROL

Always in sync, thanks in part to the closed-loop servro-control system:

- If the machine stops while applying a label, the MFlex automatically resumes and accurately labels the product upon restart.
- All Titanium modules are the same and only two types of Vanadium modules are used, keeping service and maintenance to minimum interactions.



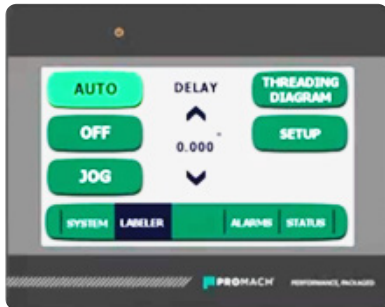
## SINGULAR HMI CONTROLS EVERYTHING

Traditionally, labeling systems would often have multiple interfaces with which the operator had to interact. Instead, MFlex has just a single color touchscreen that is universal to all machine configurations. This provides instant machine status, access to any adjustments, and detailed diagnostics for maintenance.

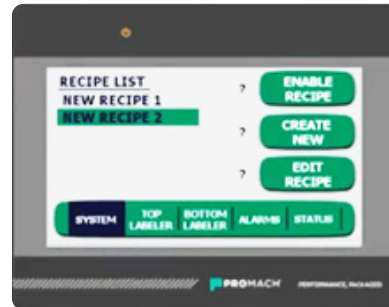
### KEY FEATURES

- Central touchscreen interface controls the complete labeling system, including labeling heads and product handling.
- Friendly and intuitive screen layouts give operators instant access to any information or adjustments they might need, saving time and simplifying training.
- Alarms and warnings for issues like label slippage and open nip roller help operators quickly notice and correct potential problems.
- The product recipe feature allows product setting parameters to be stored and instantly recalled when that job is next run, reducing the time needed for setup.
- Full diagnostics to help maintenance or service technicians troubleshoot any problems quickly and easily, efficiently getting the system back into production.

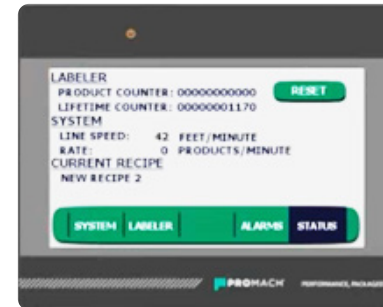
### EASY TO NAVIGATE INTERFACE



Main operator screen provides instant access to basic controls and information, including a label threading diagram. Additional in-depth settings can be password protected.



Save product setup parameters as a recipe for instant recall, reducing the time needed for product changeovers. Recipes are fully backed up to a USB drive.



Live status screen provides a quick reference to label counts, speeds, and current running recipes allowing operators to easily monitor production settings.



Built-in help screens are readily available on any setting screen by tapping the question mark icon, providing additional diagnostics and procedure information.

## MFLEX™ WRAP

The MFlex Wrap is a pressure-sensitive labeling system, designed to apply a label to round containers, accurately and consistently.

MFlex Wrap is an integrated modular labeling machine that includes:

- Product spacing module.
- Integrated conveyor.
- M2 System labeling head and label wrap module.
- Electronically synchronized modules.

MFlex Wrap is available with either a conventional wrap station module or a 3-point wrap, designed for applying a label in register with features on the product or for unstable products.

### INDUSTRIES

- Water and Sports Drinks
- Healthcare and Pharmaceuticals
- Cosmetics and Personal Care
- Craft Beer and Wine
- Household Products and Cleaners
- Automotive, Oil and Additives
- Horticulture
- Custom Applications

### APPLICATIONS





## MFLEX™ WRAP SPECIFICATIONS

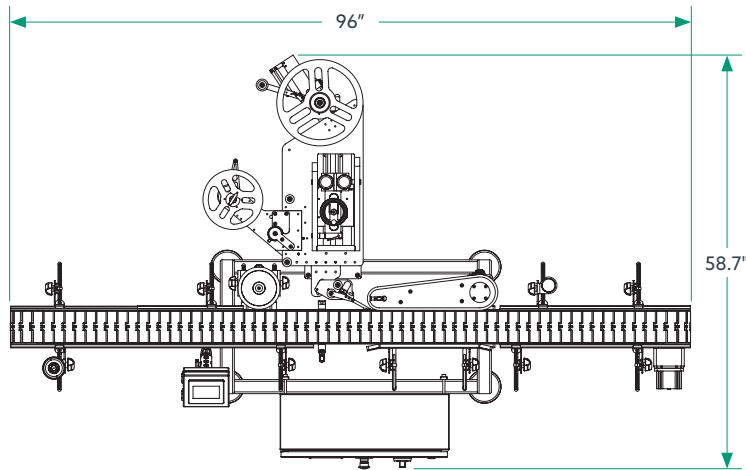
<b>LABEL SIZE</b>	1" x 1" Feed to 5" x 10" Feed
<b>LABEL SUPPLY</b>	12" OD / 3" Core
<b>PRODUCT SIZE</b>	Min: 1.5" OD x 2.5" Tall Max: 4.4" OD x 10" Tall (Standard Guide Rail) Max: 6.25" OD x 10" Tall (Wide Product Guide Rail Kit)
<b>ELECTRICAL</b>	6A @120V AC, 60Hz
<b>CONVEYOR SPEED</b>	Variable up to 125ft per minute
<b>CONVEYOR</b>	Stainless Steel, Aluminum, and UHMW

## SYSTEM OPTIONS

- 16" OD Label Supply
- Increased Label Width
- Low Label Supply Warning with Auto Shut-Off Feature and Beacon light
- Alternative Supply Voltages
- Clear Label Sensor Package
- Additional Conveyor Width
- Additional Conveyor Length
- Adjustable Feet
- Higher Speed
- Vacuum Wrap Belt
- Dual Wheel and Twin Belt Spacing
- Zero Downtime Option

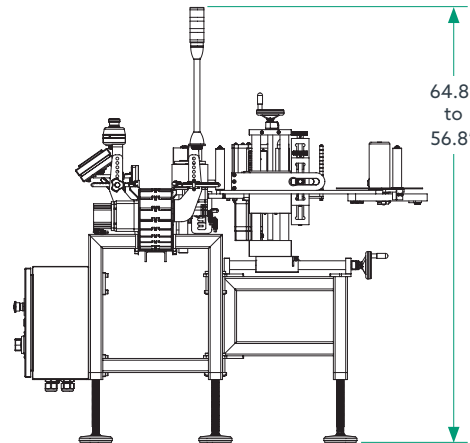
## DIMENSIONS

TOP VIEW

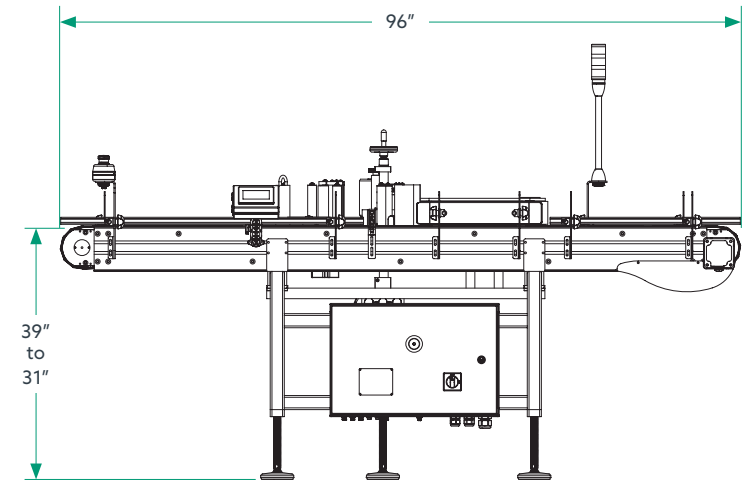


PRODUCT FLOW →

SIDE VIEW



FRONT VIEW



PRODUCT FLOW →

## MFLEX™ FRONT & BACK

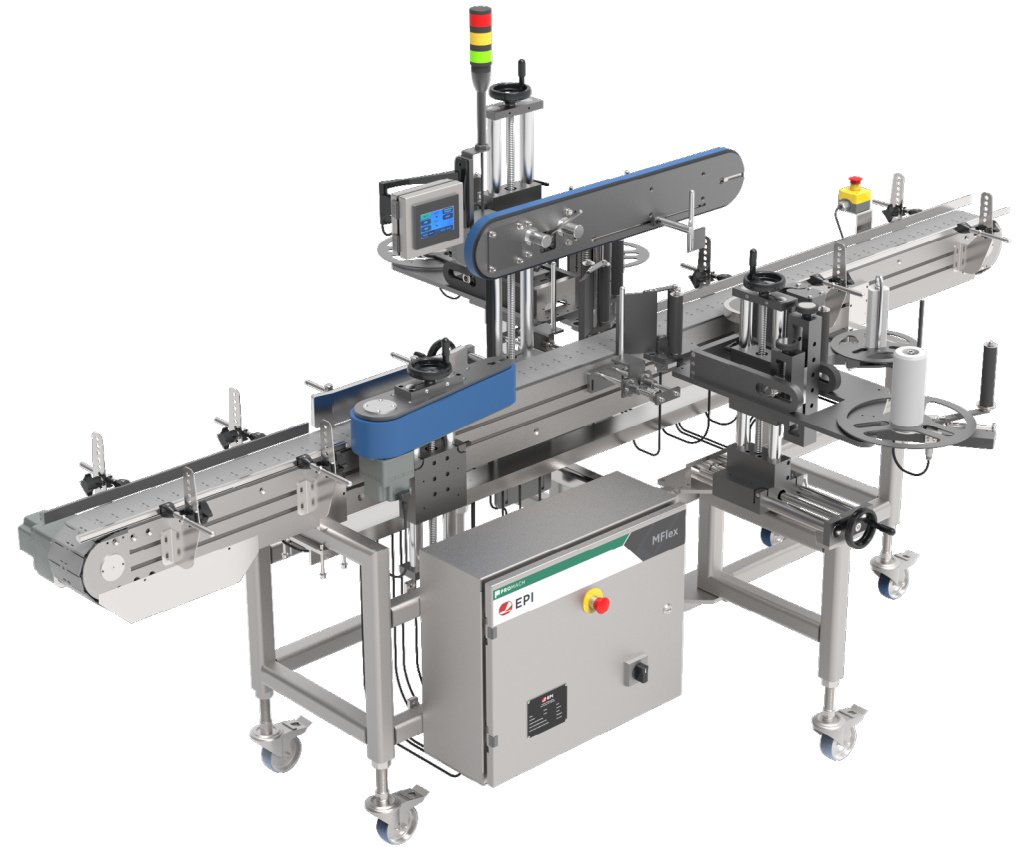
Designed to accurately label containers that are square, rectangular, oval, and more, the MFlex Front & Back labeling system is equipped with one or more M2 System labeling heads, mounted to a precision product handling system.

The conveyor, infeed spacing device, product aligner, and top hold belt are all perfectly electronically synchronized to ensure accurate labeling, even when the line speed varies.

### INDUSTRIES

- Dairy and Juice
- Household Products and Cleaners
- Cosmetics and Personal Care
- Automotive, Oil and Additives
- Healthcare and Pharmaceuticals
- Horticulture
- Retail Food
- Custom Applications

### APPLICATIONS



## MFLEX™ FRONT & BACK SPECIFICATIONS

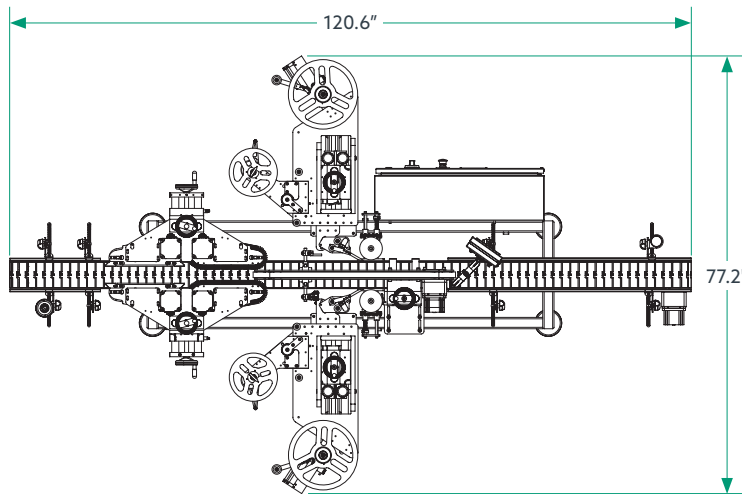
<b>LABEL SIZE</b>	1" x 1" Feed to 5" x 5" Feed
<b>LABEL SUPPLY</b>	12" OD / 3" Core
<b>PRODUCT SIZE</b>	Min: 1"L x 1"W x 1.5"T Max: 9"L x 6"W x 14"T
<b>ELECTRICAL</b>	6A @120V AC, 60Hz
<b>CONVEYOR SPEED</b>	Variable up to 125ft per minute
<b>CONVEYOR</b>	Stainless Steel, Aluminum, and UHMW

### SYSTEM OPTIONS

- 16" OD Label Supply
- Increased Label Width
- Low Label Supply Warning with Auto Shut-Off Feature and Beacon light
- Alternative Supply Voltages
- Clear Label Sensor Package
- Additional Conveyor Width
- Additional Conveyor Length
- Adjustable Feet
- Higher Speed
- Wrap Station for Round Containers
- Dual Wheel and Twin Belt Spacing
- Product Alignment Device

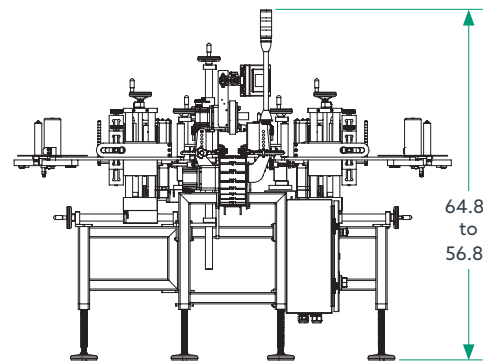
## DIMENSIONS

TOP VIEW

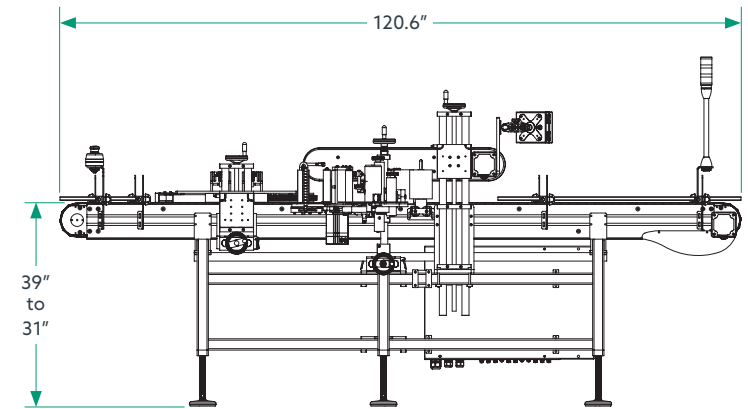


PRODUCT FLOW →

SIDE VIEW



FRONT VIEW



PRODUCT FLOW →



## MFLEX™ TOP & BOTTOM C-WRAP

The MFlex product line includes excellent labeling systems for labeling the top and bottom of packages, as well as wrapping a label around three sides.

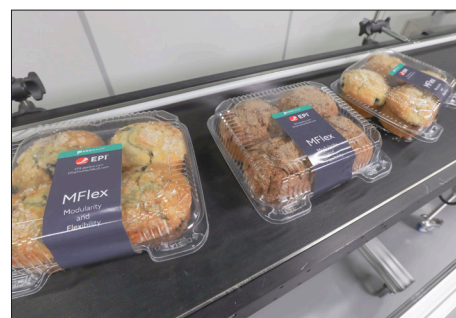
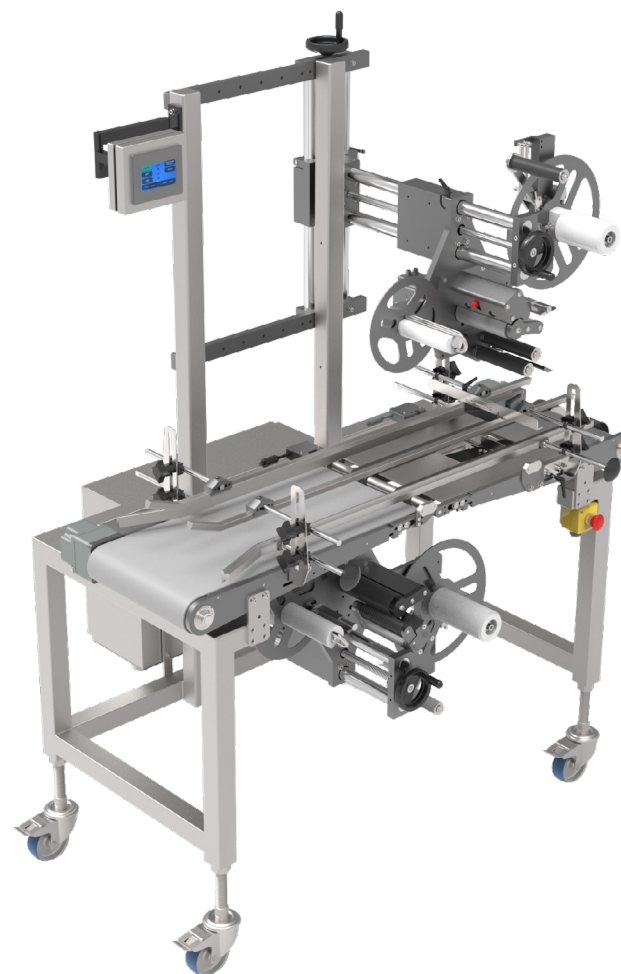
What if there is a need to be able to handle both applications on the same packaging line? That's where our Top & Bottom C-Wrap labeling system excels. Built around a special dual conveyor system, this is our most versatile MFlex.

Top-only labeling, top and bottom labeling, bottom-only labeling, and c-wrap label application make this a popular option for contract packagers and companies that use a number of different package styles.

### INDUSTRIES

- Meat and Poultry Products
- Baked Goods and Confectionery
- Fresh Produce
- Retail Food
- Cosmetics and Personal Care
- Healthcare and Pharmaceuticals
- Custom Applications

### APPLICATIONS



## MFLEX™ TOP &amp; BOTTOM C-WRAP SPECIFICATIONS

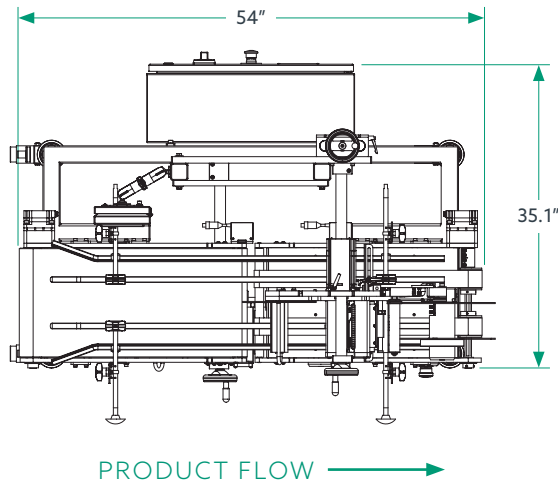
<b>LABEL SIZE</b>	1" x 2" Feed to 5" x 12" Feed (Standard) 5" x 24" (for C-Wrap, Top labeling head only)
<b>LABEL SUPPLY</b>	12" OD / 3" Core (Standard)
<b>PRODUCT SIZE</b>	4" - 12" Wide (Standard) 2" - 24" Long (Standard)
<b>ELECTRICAL</b>	6A @120V AC, 60Hz
<b>CONVEYOR SPEED</b>	Variable up to 125ft per minute
<b>CONVEYOR</b>	Stainless Steel, Aluminum, and UHMW

**SYSTEM OPTIONS**

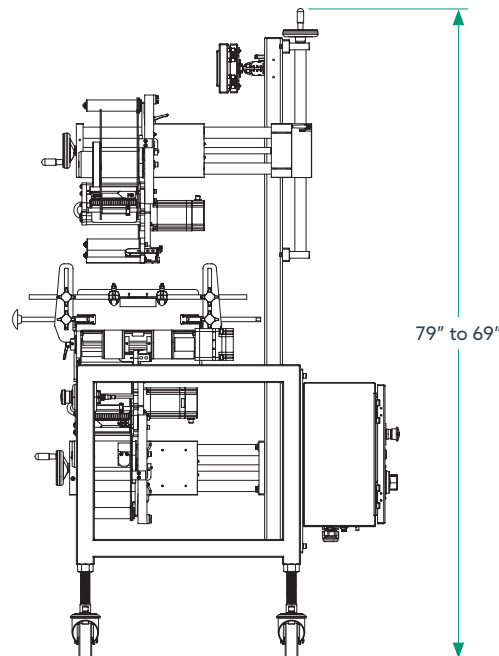
- 16" OD Label Supply
- Increased Label Width
- Low Label Supply Warning with Auto Shut-Off Feature and Beacon light
- Different Supply Voltage
- Clear Label Sensor Package
- Additional Conveyor Width
- Additional Conveyor Length
- Adjustable Feet
- Higher Speed

## DIMENSIONS

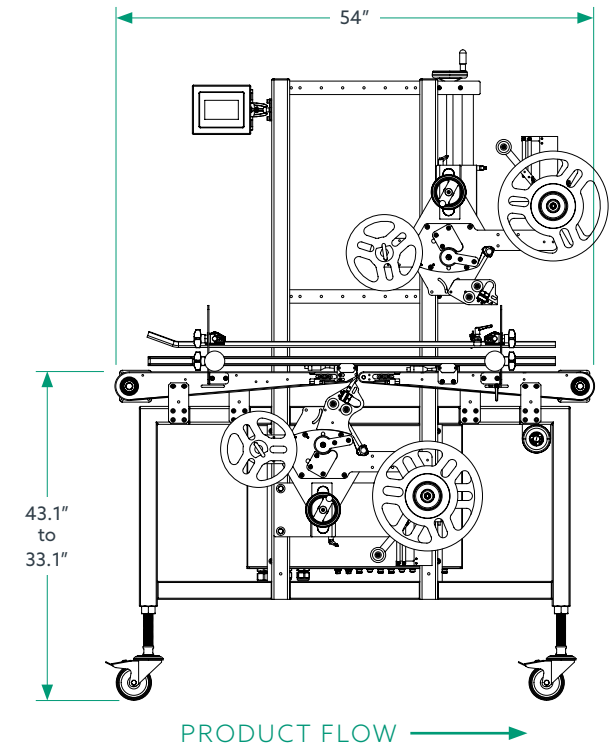
TOP VIEW



SIDE VIEW



FRONT VIEW



## MFLEX™ TOP & BOTTOM

Customers have a need to accurately labels on both the top and bottom faces of their packaging and there is an MFlex designed specifically for this application.

The MFlex Top & Bottom labeler utilizes two conveyor sections, with a small space between them. As the package is moved over this space, the bottom label is applied and the top label is added once the package has moved onto the second conveyor.

Because the M2 labeling heads can be independently switched on or off, the system can also be used for top-only or bottom-only labeling as needed.

### INDUSTRIES

- Meat and Poultry Products
- Retail Food
- Cosmetics and Personal Care
- Baked Goods and Confectionery
- Healthcare and Pharmaceuticals
- Custom Applications
- Fresh Produce

### APPLICATIONS





## MFLEX™ TOP & BOTTOM SPECIFICATIONS

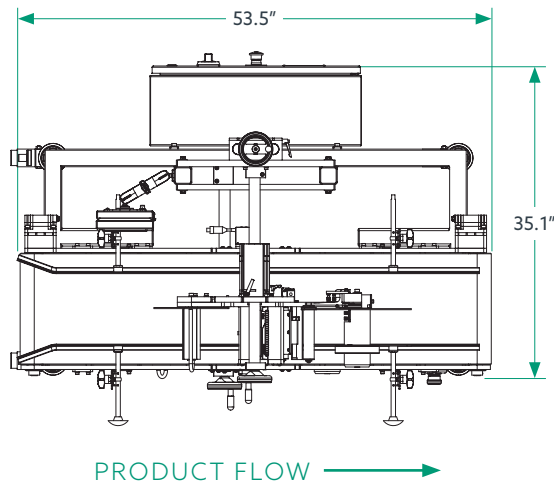
<b>LABEL SIZE</b>	1" x 2" Feed to 5" x 12" Feed (Standard)
<b>LABEL SUPPLY</b>	12" OD / 3" Core (Standard)
<b>PRODUCT SIZE</b>	4" - 12" Wide (Standard) 2" - 24" Long (Standard)
<b>ELECTRICAL</b>	6A @120V AC, 60Hz
<b>CONVEYOR SPEED</b>	Variable up to 125ft per minute
<b>CONVEYOR</b>	Stainless Steel, Aluminum, and UHMW

### SYSTEM OPTIONS

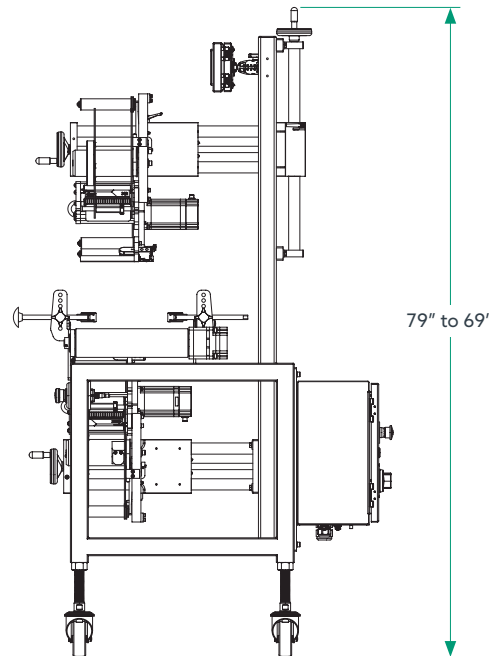
- 16" OD Label Supply
- Increased Label Width
- Low Label Supply Warning with Auto Shut-Off Feature and Beacon light
- Different Supply Voltage
- Clear Label Sensor Package
- Additional Conveyor Width
- Additional Conveyor Length
- Adjustable Feet
- Higher Speed

## DIMENSIONS

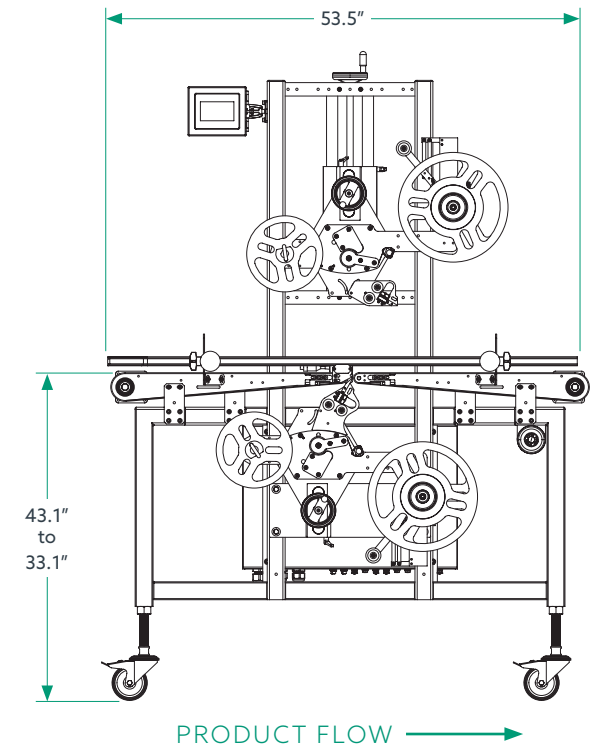
TOP VIEW



SIDE VIEW



FRONT VIEW



## MFLEX™ C-WRAP

MFlex C-Wrap is a labeling system designed to wrap a label around the front of the packaging as the product moves through the label application section of the machine.

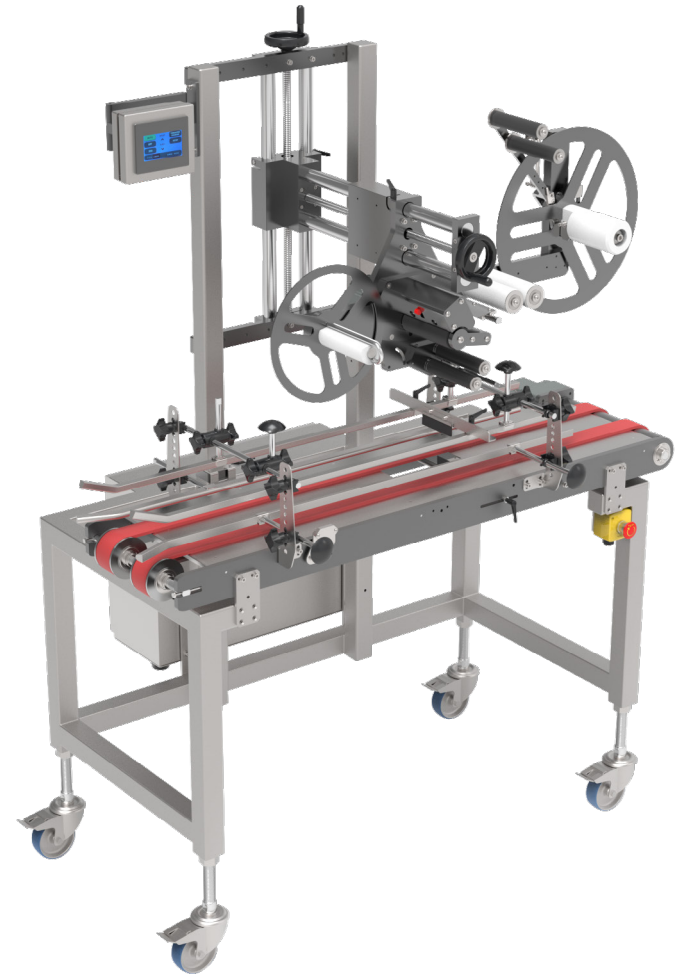
The conveyor of the MFlex C-Wrap consists of two belts, one either side of where the label will be applied. There is an open area at the application point, where the label can feed between the belts, and where the leading part is applied to the bottom of the package. At the same time, the trailing part of the label is wiped onto the top side of the package.

The c-wrap label allows the bottom panel of the package to be labeled with nutrition, ingredient, and allergen information, while the top section includes branding and marketing messaging. A c-wrap label also provides a tamper evident solution for clamshell type packages.

### INDUSTRIES

- Meat and Poultry Products
- Baked Goods and Confectioneries
- Fresh Produce
- Custom Applications
- Retail Food

### APPLICATIONS



## MFLEX™ C-WRAP SPECIFICATIONS

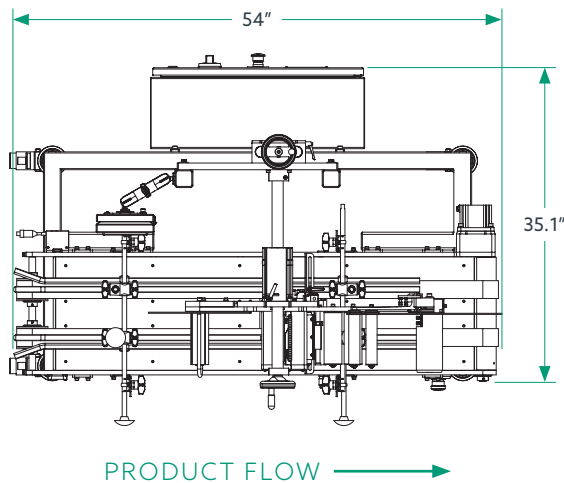
<b>LABEL SIZE</b>	1" x 2" Feed to 5" x 24" Feed (Standard)
<b>LABEL SUPPLY</b>	12" OD / 3" Core (Standard)
<b>PRODUCT SIZE</b>	4" - 12" Wide (Standard) 2" - 24" Long (Standard)
<b>ELECTRICAL</b>	6A @120V AC, 60Hz
<b>CONVEYOR SPEED</b>	Variable up to 125ft per minute
<b>CONVEYOR</b>	Stainless Steel, Aluminum, UHMW, Powder Coated Steel

## SYSTEM OPTIONS

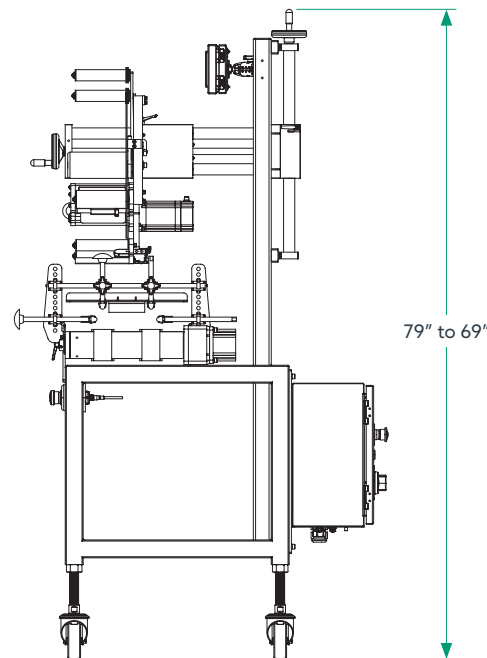
- 16" OD Label Supply
- Increased Label Width
- Low Label Supply Warning with Auto Shut-Off Feature and Beacon light
- Different Supply Voltage
- Clear Label Sensor Package
- Washdown Package
- Additional Conveyor Width
- Additional Conveyor Length
- Adjustable Hugger Belt Height
- Adjustable Feet
- Higher Speed

## DIMENSIONS

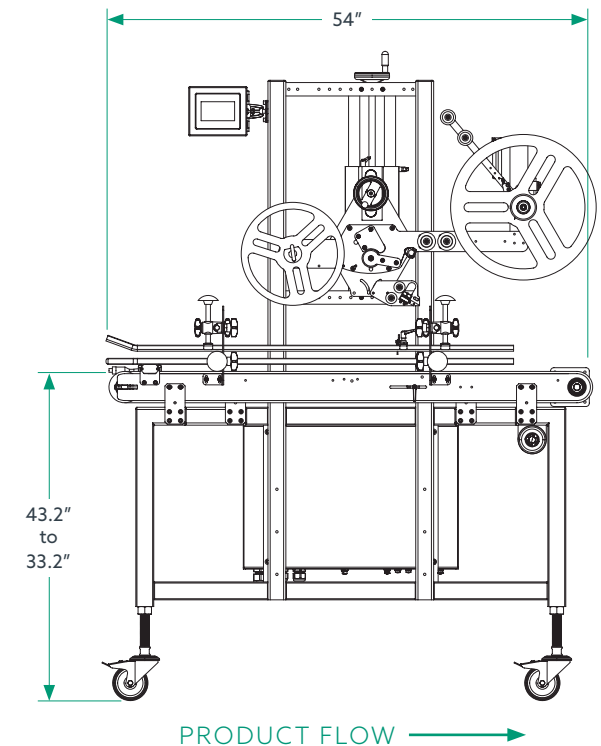
TOP VIEW



SIDE VIEW



FRONT VIEW





## MFLEX™ HUGGER BELT

MFlex Hugger Belt is a labeling system that uses hugger belts to move the product to be labeled through the label application section of the machine. This allows for many types of packages to be labeled, especially when other conveyor designs make it difficult to apply the label in the required location on the package.

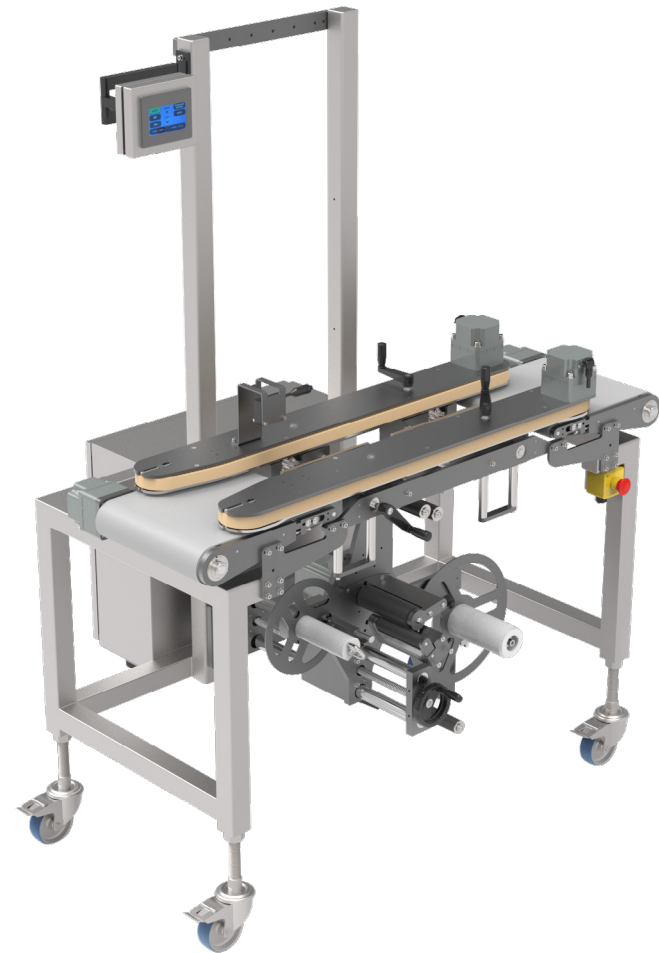
The MFflex Hugger Belt can be configured with either one or two labeling heads, making it ideal to label either or both sides of the product, as well as having the ability to apply a c-wrap label that spans two sides.

The twin hugger belt product control module is simple to adjust for different package sizes, making changeover quick and efficient.

### INDUSTRIES

- Meat and Poultry Products.
- Fresh Produce
- Cosmetics and Personal Care
- Healthcare and Pharmaceuticals
- Retail Food
- Baked Goods and Confectionery
- Custom Applications

### APPLICATIONS



## MFLEX™ HUGGER BELT SPECIFICATIONS

<b>LABEL SIZE</b>	1" x 2" Feed to 5" x 12" Feed (Standard)
<b>LABEL SUPPLY</b>	12" OD / 3" Core (Standard)
<b>PRODUCT SIZE</b>	4" - 6" Wide (Standard) 2" - 24" Long (Standard)
<b>ELECTRICAL</b>	6A @120V AC, 60Hz
<b>CONVEYOR SPEED</b>	Variable up to 125ft per minute
<b>CONVEYOR</b>	Stainless Steel, Aluminum, and UHMW

### SYSTEM OPTIONS

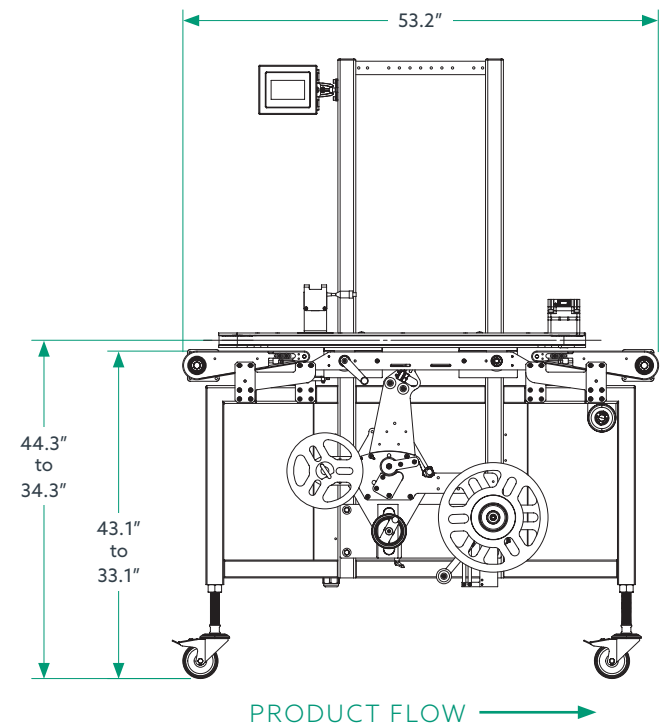
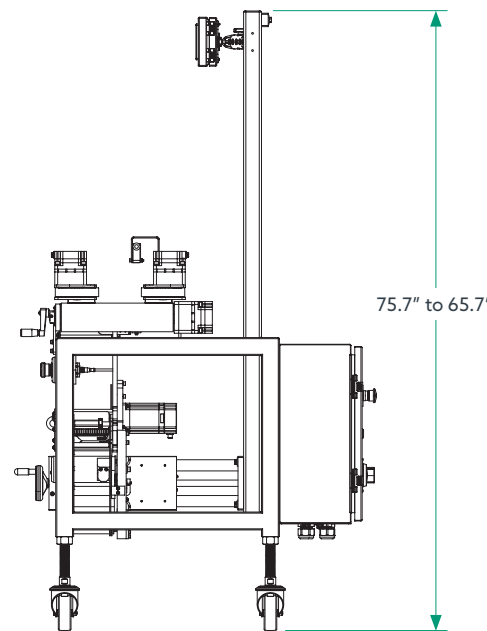
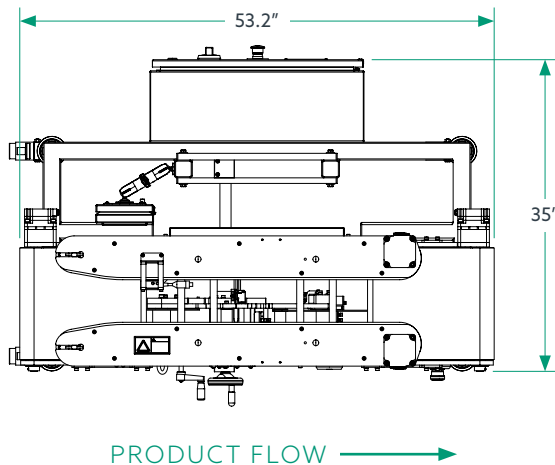
- 16" OD Label Supply
- Increased Label Width
- Low Label Supply Warning with Auto Shut-Off Feature and Beacon light
- Different Supply Voltage
- Clear Label Sensor Package
- Additional Conveyor Width
- Additional Conveyor Length
- Adjustable Hugger Belt Height
- Adjustable Feet
- Higher Speed

## DIMENSIONS

TOP VIEW

SIDE VIEW

FRONT VIEW



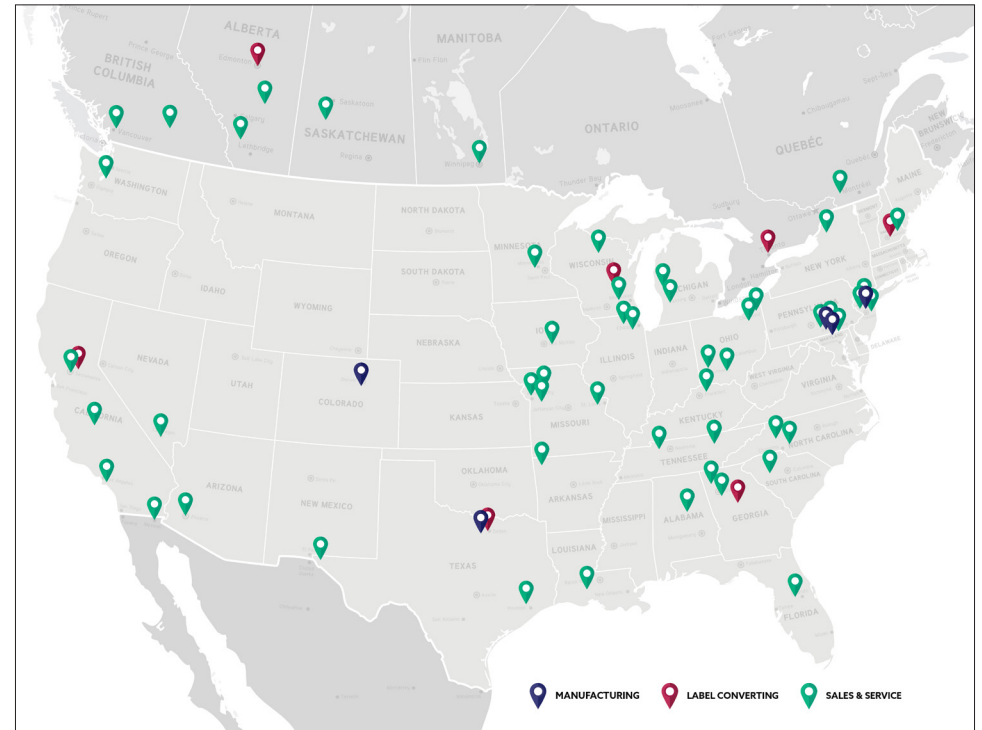
## CONTACT INFORMATION

EPI engineers and manufactures pressure-sensitive labeling systems that apply primary, secondary, and reclosable labels to numerous types of packaging.

EPI also provides our customers with multiple separate label converting plant locations across North America to efficiently and quickly produce quality labels and tags.

As part of the ProMach Labeling & Coding business line, ID Technology, EPI, Panther, Greydon, and Code Tech help our packaging customers protect and grow the reputation and trust of their consumers.

ProMach is performance, and the proof is in every package.



### EPI

1145 East Wellspring Rd.

New Freedom, PA 17349

800.755.8344

[www.epilabelers.com](http://www.epilabelers.com)

[EPI@ProMachBuilt.com](mailto:EPI@ProMachBuilt.com)